

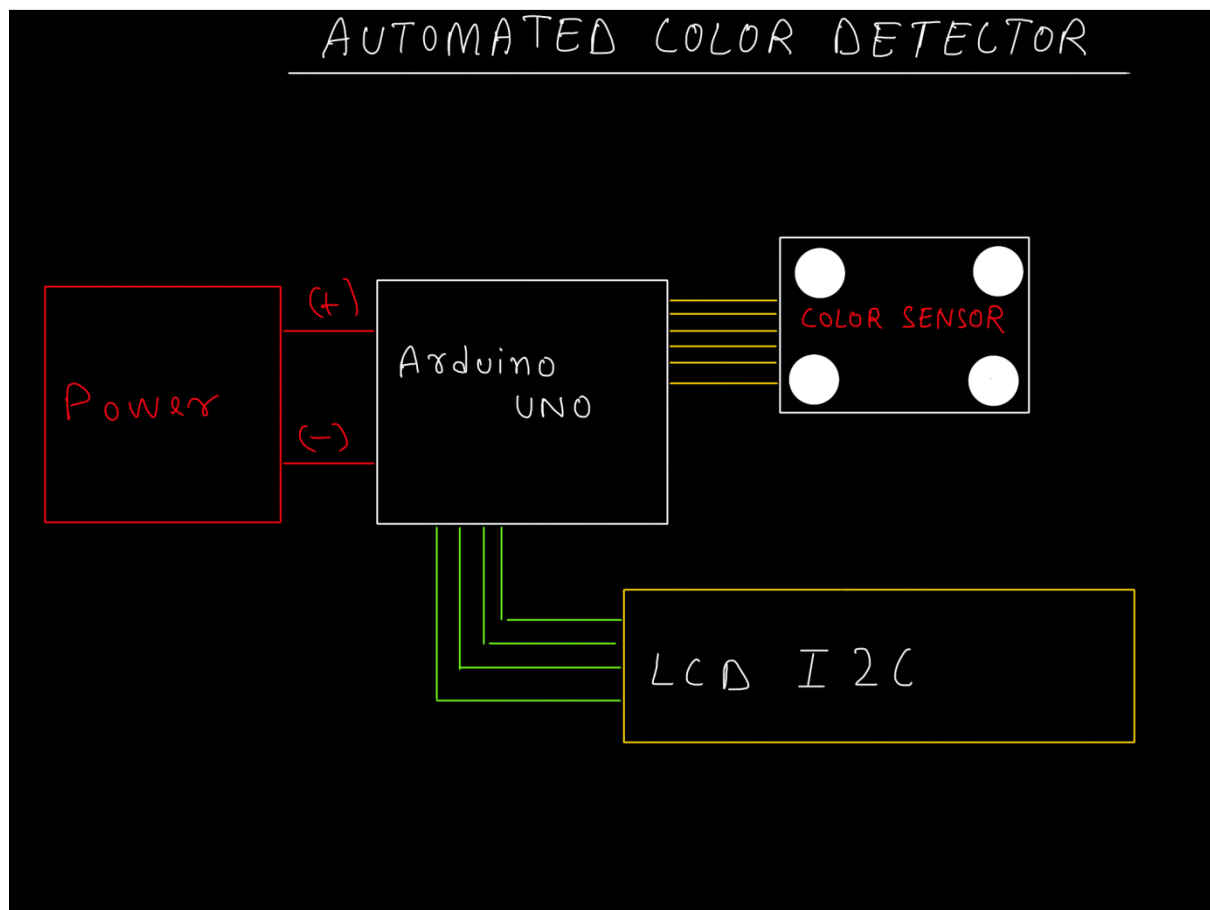
## AUTOMATED COLOR DETECTOR

**Description:** The Automated Color Detector has been ideated in the ATAL Tinkering Lab of DAV Model School Durgapur. The System has the capability of sensing the three main primary colors those are Red , Green and Blue. This can really prove itself helpful for those people who suffer from color blindness. The system can interactively give them information about the color they want to know.

### Materials Required:

1. Arduino Uno (Micro-controller)
2. Color Sensor (Color Detector)
3. LCD I2c Display
4. Battery (As power Source)

### Images of the Model:



### Achievements:

### Team: