

DAV PUBLIC SCHOOL, POKHARIPUT, BHUBANESWAR-20
ANNUAL EXAMINATION 2020-21
STD: VI (GENERAL SCIENCE): OBJECTIVE
(FULL MARK:40)

GENERAL INSTRUCTIONS:-

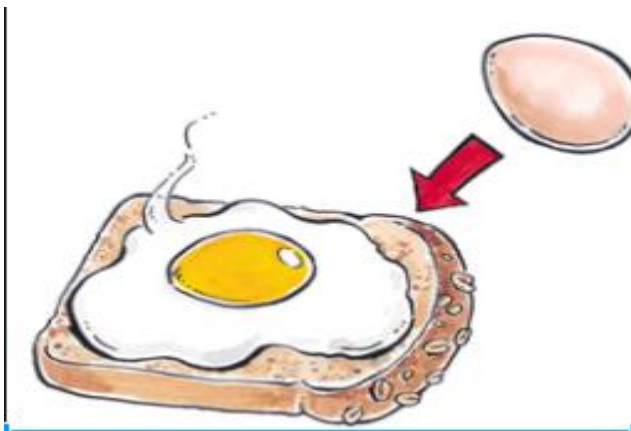
- 1. Answer all questions.**
- 2. Each question carries one mark.**
- 3. All the MCQs are to be answered by choosing most appropriate answer from the given options.**

1. Which statement is not applicable to the given picture? (1)



- (a) lemon juice is added to the boiled milk.
- (b) milk is turned into a curdly substance.
- (c) milk is converted into pudding.**
- (d) milk is converted into cheese.

2. Observe the given picture and find out the correct option that comes under this category. (1)



- (a) Baking of chapatti.**
- (b) Freezing of water.

(c) Ironing of clothes.

(d) Folding of paper.

3. Arrange the following lengths in their increasing order of magnitude. (1)

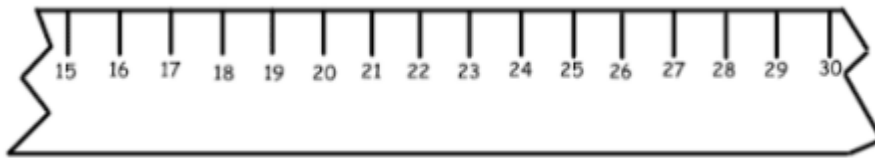
(a) 1 millimetre < 1 centimetre < 1 metre < 1 kilometre

(b) 1 millimetre < 1 kilometre < 1 centimetre < 1 metre

(c) 1 kilometre < 1 centimetre < 1 metre < 1 millimetre

(d) 1 kilometre < 1 centimetre < 1 metre < 1 millimetre

4. In the given figure, a measuring device is given. In which case the length cannot be measured by the given device? (1)



(a) 7 cm long caterpillar.

(b) 13 cm long envelope.

(c) 21 cm long pencil.

(d) 14.5 cm long stylus.

5. Which is the correct matching from the given options? (1)

object	motion
1. Movement of mosquito	A. Periodic motion
2. blade of an electric fan	B. Random motion.
3. Motion of child on a swing	C. Vibratory motion
4. string of guitar	D. Circular motion

(a) 1:B , 2:C , 3:A , 4:D

(b) 1:B , 2:D , 3:C , 4:A

(c) 1:D , 2:B , 3:A , 4:C

(d) 1:B , 2:D , 3:A , 4:C

6. Which is not the correct example of rectilinear motion? (1)

(a) apple falling from a tree.

(b) motion of a car on a straight road.

(c) a spinning top.

(d) bullet fired from a gun.

7. Which is a standard unit of measurement? (1)

(a) cubit (b) fist (c) Step **(d) metre**

8. What is the motion in which an object remains at the same distance from a fixed point? (1)

(a) Roatational **(b) circular** (c) Rectilinear (d) Random

9. Which unit is used for measuring large distances? (1)

(a) mm (b) cm (c) dm **(d) Km**

10. The height of Neel Krishna is 1.38m. Which is the correct expression for the given measurement? (1)

(a) 138 cm and 13.8 mm. (b) 138 cm and 1038 mm.

(c) 138 cm and 1380 mm. (d) 138 cm and 138 mm.

11. Which is not the correct statement? (1)

(a) Change in position with respect to the surrounding is called rest.

(b) When a screw is tightened it exhibits only rotatory motion.

(c) Measurement is an act of measuring the dimension of a physical quantity.

(d) The motion of the earth is periodic.

12. Which is not the correct mode of classification based on the given features? (1)

(a) Food habits - herbivores, carnivores, omnivores.

(b) Habitat - mesophytes , xerophytes , hydrophytes.

(c) Reproduction - frugivores , insectivores , parasites.

(d) Nutrition - autotrophs , saprophytes , parasites.

13. Which is the most important application of plants for the survival of all living beings? (1)

(a) Providing medicines.

(b) Providing basic food items.

(c) Providing useful products like wood, rubber, cotton. **(d) Providing oxygen.**

14. Observe the picture .Which is the correct option that relates to the picture numbers given below? (1)



(a) 1: gobar gas , 2: fabric , 3: transportation , 4: honey , 5: belt

(b) 1: gobar gas , 2: transportation , 3: fabric , 4: honey , 5: belt

(c) 1: gobar gas , 2: fabric , 3: transportation , 4: honey , 5: belt

(d) 1: gobar gas , 2: belt , 3: transportation , 4: honey , 5: fabric

15. Which is not the correct option for fruits? (1)

(a) fruit protects the seeds.

(b) fruit helps in the dispersal of seeds.

(c) fruit helps in the absorption of minerals.

(d) fruit is the mature ripened ovary.

16. What type of root system do you find in maize, pea, grass, mustard and bean plants? (1)

(a) fibrous , fibrous , fibrous , tap , tap

(b) fibrous , tap , fibrous , tap , tap

(c) fibrous , tap , fibrous , tap , fibrous

(d) tap , fibrous , fibrous , tap , tap

17. Which is the correct option? (1)

organs	function
1. stomach	A. juice contains enzymes that help to digest food.
2. liver	B. absorb nutrients from digested food and takes them to cells.
3. pancreas	C. absorbs water and salts from the undigested food.
4. small intestine	D. churns the food and changes into a paste like substance.
5. large intestine	E. secretes bile juice that breaks down fats.

(a) 1: D , 2: A, 3: E , 4: B , 5: C

(b) 1: D , 2: E , 3: A , 4: C , 5: B

(c) 1: D , 2: E , 3: A , 4: B , 5: C

(d) 1: E , 2: D , 3: A , 4: B , 5: C

18. It is the system that makes to ensure the continuity of the species. What is the system? (1)

(a) Skeletal system

(b) Nervous system

(c) Excretory system

(d) Reproductive system

19. Which is not the correct option related the given picture? (1)

(a) Air enter through the nasal cavity and is filtered.

(b) Nasal cavity leads into pharynx.

(c) The wind pipe gets divided into two bronchi.

(d) Diaphragm contains a number of air sacs surrounded by capillaries.

20. ----- is a tube like structure that is attached to the brain and runs inside the vertebral column. (1)

(a) oesophagus

(b) spinal cord

(c) trachea

(d) epiglottis

21. In a dam, water is stored in the high reservoir and is made fall down. This falling water rotates the turbines to generate electricity. In this process, starting from the water stored in dam till the final output, what is the initial and final energy respectively? (1)

(a) Potential energy and electrical energy

(b) Kinetic energy and electrical energy

(c) Potential energy and kinetic energy

(d) Kinetic energy and potential energy

22. What is the energy stored in wood, coal, diesel and battery? (1)

(a) Muscular energy (b) heat energy **(c) chemical energy** (d) light energy

23. The energy possessed by a body due to its position is called ----- . (1)

(a) heat energy (b) kinetic energy **(c) potential energy** (d) chemical energy

23. Which statement does not define the music? (1)




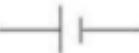


(a) music has a pleasing effect on the ears.

(b) music is produced by regular periodic vibrations.

(c) music produces a disturbing effect to us.

(d) music creates a harmonious melody.

24. Observe the symbols and choose the correct option. (1)

Component of electrical circuit	Symbol
A _____	
B _____	
C _____	
D _____	
E _____	
F _____	

(a) A: connecting wire, B:switch 'on' , C:bulb , D:cell , E:switch 'off' , F: battery.

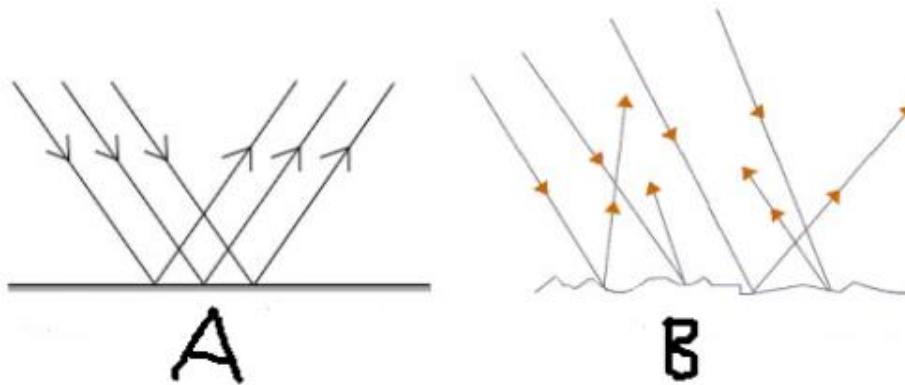
(b) A: connecting wire, B:switch 'off' , C:bulb , D:cell , E:switch 'on' , F: battery.

(c) A: connecting wire, B:switch 'off' , C:cell , D: bulb , E:switch 'on' , F: battery.

(d) A: connecting wire, B:switch 'off' , C:bulb , D:battery , E:switch 'on' , F: cell.

(d) image is formed on the screen/real.

29. Observe the picture A and B. Which is the correct statement for the given pictures? (1)



(a) A: Irregular Reflection from shining surface, B: Irregular reflection from rough surface.

(b) A: Regular Reflection from shining surface, B: Irregular reflection from rough surface.

(c) A: Regular Reflection from rough surface, B: irregular reflection from shining surface.

(d) A: Regular Reflection from shining surface, B: Regular reflection from rough surface.

30. Eclipses do not occur every month because the orbit of moon is ----- . (1)

(a) round (b) straight (c) wavy **(d) tilted**

31. Choose the incorrect statement. (1)

(a) A cylindrical magnet has only one pole.

(b) Natural magnets were discovered in Greece.

(c) Similar poles of a magnet repel each other.

(d) A magnetic compass can be used to find East-West direction at any place.

32. The North end of the freely suspended magnet always points towards ----- . (1)

(a) Geographical West (b) Geographical East

(c) Geographical South **(d) Geographical North**

33. A device which generally does not use a magnet, is ----- . (1)

(a) a CD player. (b) a telephone. (c) an electric motor. **(d) a geyser.**

34. Consider the following. (1)

Assertion (A) : The strength of a magnet is determined in terms of its attractive force.

Reason (R): The magnet attracts the largest number of iron clips is thought of as the strongest.

Choose the correct option.

(a) A is correct , R is correct and R is the correct explanation of A.

(b) A is correct , R is correct and R is not the correct explanation of A.

(c) A is correct and R is not correct.

(d) both A and R are not correct.

35. Choose the option that is not related to the fabric given in the picture. (1)



(a) Fibre is obtained from the bark of the plant.

(b) This plant grows well in alluvial soil.

(c) Fresh soil is needed every year to grow this plant.

(d) This plant grows well in red and yellow soil.

36. Synthetic fibres are better than natural fibres in the given three respects except -----.(1)

(a) stronger and durable. (b) wrinkle free.

(c) spoiled by moths. (d) have fast colour.

37. The process of arranging two sets of yarns in perpendicular pattern to make fabric that needs attentiveness and concentration of workers is called ----- . (1)

(A) Printing **(b) Weaving** (c) Finishing (d) Knitting

38. The process of making clothes smooth, soft and shiny is called ----- . (1)

(a) finishing. (b) tailoring. (c) spinning. (d) dyeing.

39. Consider the following. (1)

Assertion(A) : Yarns are made up of thin strands called fibres.

Reason(R) : The process of making yarn from fibres is called knitting.

Choose the correct option.

(a) A is correct , R is correct and R is the correct explanation of A.

(b) A is correct , R is correct and R is not the correct explanation of A.

(c) A is correct and R is not correct.

(d) both A and R are not correct.

40. Which is the correct sequence in the process of making of making cloth? (1)

(a) collection of fibres → spinning → weaving → finishing → printing → dyeing.

(b) collection of fibres → spinning → weaving → finishing → dyeing → printing.

(c) collection of fibres → weaving → spinning → dyeing → printing → finishing .

(d) collection of fibres → spinning → weaving → dyeing → printing → finishing .

STD: VI(GENERAL SCIENCE): SUBJECTIVE
(FULL MARK:40)

GENREAL INSTRUCTIONS:-

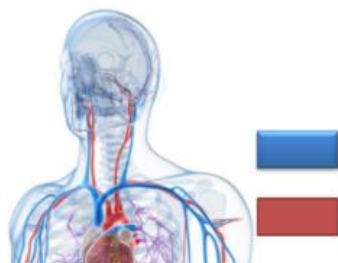
- i.This Question paper contains total 17 questions.**
- ii. All questions are compulsory.**
- iii. Write the answers and draw a labelled diagram wherever required.**
- iv. Question No. 1 to 11 carries 2 mark each and Question No. 12 to 17 carries 3 marks each.**
- v. Answers must be hand written(not typed) , after writing make it into a pdf format and attach the file wherever mentioned.**
- vi. The attach file name should follow this format-SEC-ROLL-NAME.**

Questions:

1. Explain the difference between 'rest' and 'motion'. Give an example of each. (2)
2. Explain with an activity and diagram that stem always grows upwards , towards light and gravity. (2)
3. Explain the root modification given in the picture, 1 and 2. (2)
Write down the special function performed by each.
Consider the given picture.



4. Answer the given questions. (2)
 - a. Write down the function of seed only related to the baby plant. (2)
 - b. what changes do occur to the seed when it finds the moist soil? (2)
5. Differentiate between sensory and motor nerves. (2)
6. Write down two features of blue and red lines shown in the picture in the human body. (2)



7. Describe an activity to show the inter relationship between work and energy. (2)
8. What is the main purpose of using electric bulb ?state one important difference between the torch bulb and electric bulb. (2)
9. Write down two precautions of using electricity and electrical appliances. (2)
10. Explain two properties of a bar magnet. (2)
11. Write down two functions of leaf. (2)
12. With an activity and diagram explain, how you can measure the length of a curved line. (3)
13. Define fertilisation. Write down two changes that occur to the fertilised egg. (3)
14. Write down the structure of heart with relation to size, chambers and the type of blood contained in the chambers. (3)
15. With an activity explain that heat is a form of energy. Give an example of heat energy obtained by the burning of fuels. (3)
16. State three ways in which magnets lose their magnetic property. (3)
17. Explain the procedure in three sentences of storing the bar magnets properly. (3)

Q. NO.	ANSWER	MARK
1.	1. a pendulum clock of given length takes a definite time to complete one oscillation. 2. If two pendulum of same length are taken they will take same time to complete one oscillation.	2
2.	Activity 3 of the bk page 128.	2

	<p>Materials required:</p> <p>Procedure:potted plant, place the pot in inverted manner so that stem grows downwards.do not disturb for a week.</p> <p>Observation:We notice that stem takes a bend from its new position and grows upwards.</p> <p>Conclusion:</p>	
3	<p>1. tap root for storage:roots are swollen and fleshy and store food .e.g. carrot</p> <p>2. prop roots act as pillars and provide additional support to help the plant stand erect.e.g. banyan</p>	2
4	<p>a. function of seed:protects the baby plant , provide nourishment for the growth and development of baby plant.</p> <p>b. seed germinates and give rise to a young plant called seedling.</p>	1+1
5	<p>Sensory nerve: carry message from sense organs to the brain.</p> <p>Motor nerve:carry commands given by the brain to the muscles.</p>	1+1
6	<p>1. Blue are veins are the vessels that bring blood back to heart from different parts of the body.veins are thin walled and superficial.</p> <p>2. arteries are bloodvessels that carry oxygen rich blood from heart to different parts. Arteries are elastic and thick walled and are deeply seated.</p>	2=4x (0.5)
7	<p>Energy is the capacity to do work.</p> <p>Energy stored in arm muscles enables a player to throw a ball.</p> <p>Energy stored in battery enables a radio to play music.</p>	2
8	<p>Electric bulb is used to lighten up our homes as it has a filament that is heated up and give light.</p> <p>Electric bulb has two metallic contacts around the base of the bulb.</p>	2
9	<p>1.never touch electrical connection or devices with wet or bare hands.</p> <p>2. never try o fiddle with or open an electrical appliances when it is connected to the mains.</p>	2
10	<p>1. attractive property: magnet is capable to attract small pieces of iron.</p> <p>2. directive property:a freely suspended magnet always points along the geographical north and south directions.</p>	2
11	<p>1. leaf prepares food by the process of photosynthesis.</p> <p>2. stomata present on the surface of leaves help in exchange of gases.</p>	2
12	<p>Activity 3 pg 88</p> <p>Materials required:</p> <p>Procedure:we first put a knot on one end of the thread and keep this knot at one end of curved line and carefully move the thread along the line in small steps.we continue doing this till the other end of curved line is reached.we put a mark at the end point of the string. Now keep the thread along a metre scale and measure the distance.</p> <p>Diagram:</p>	3=2+1

13	The fusion of sperm and egg to form the zygote is called fertilization. 1. fertilized egg develops into an embryo. 2. the embryo grows and forms a baby inside the body of female.	3=1+1+1
14	Size:closed fist 2. upper two chambers are auricles and lower two chambers are ventricles. 3.left auricle and left ventricle contain oxygen rich blood and right auricle and right ventricle contain carbon dioxide rich blood.	3=1+1+1
15	Boiling some water in container covered with lid, we observe that steam formed due to heat makes the lid move up and down. It shows that heat is a form of energy. Heat energy obtained by the burning of fuels is used to power the engines .	2+1=3
16	Heated, mishandled or dropped , hammered	3
17	1. bar magnets are kept in pairs with their unlike poles on the same side and separated by a piece of wood . 2. at the ends two pieces of soft iron are placed. Diagram:	3